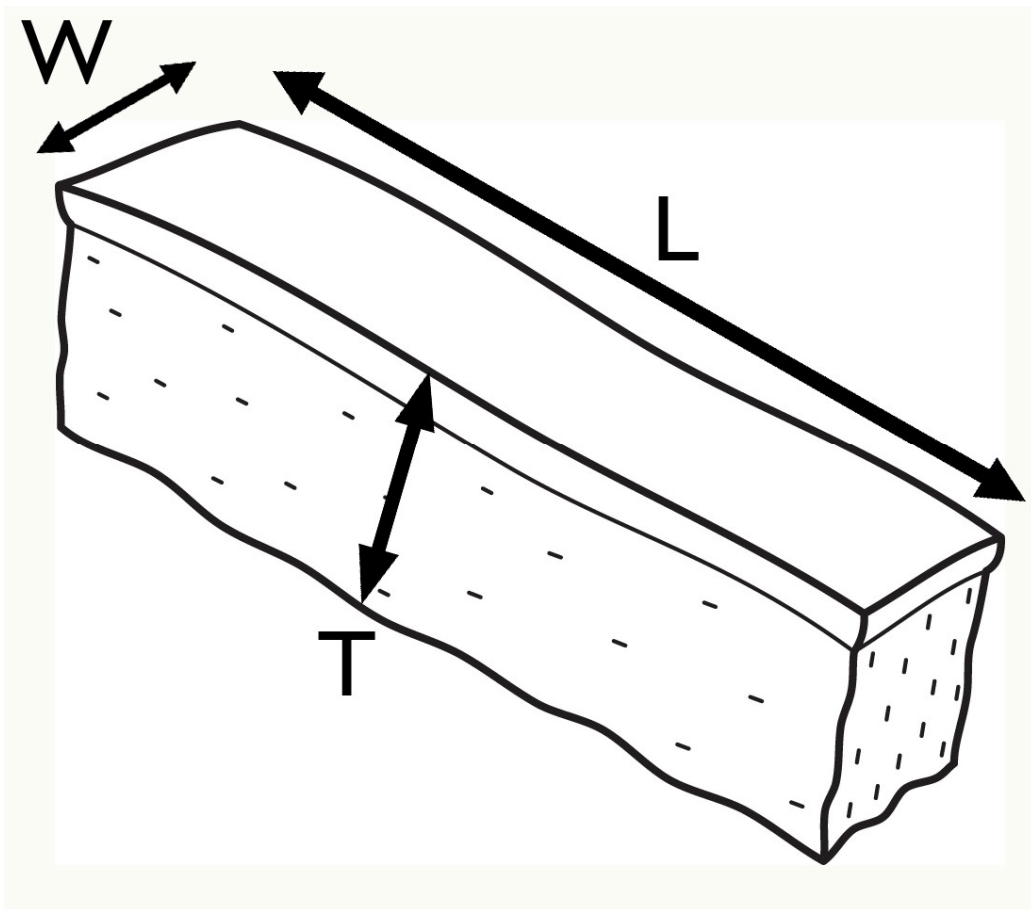


SteriGraftTM – Cortical - Cancellous Struts



Product Code	Description	Size & Measurements
404	Cortical - Cancellous Strut (1 / pkg)	L = 49 - 51 mm W = 4 - 6 mm T = 4 - 8 mm
109	Cortical - Cancellous Struts (5 / pkg)	Same as above