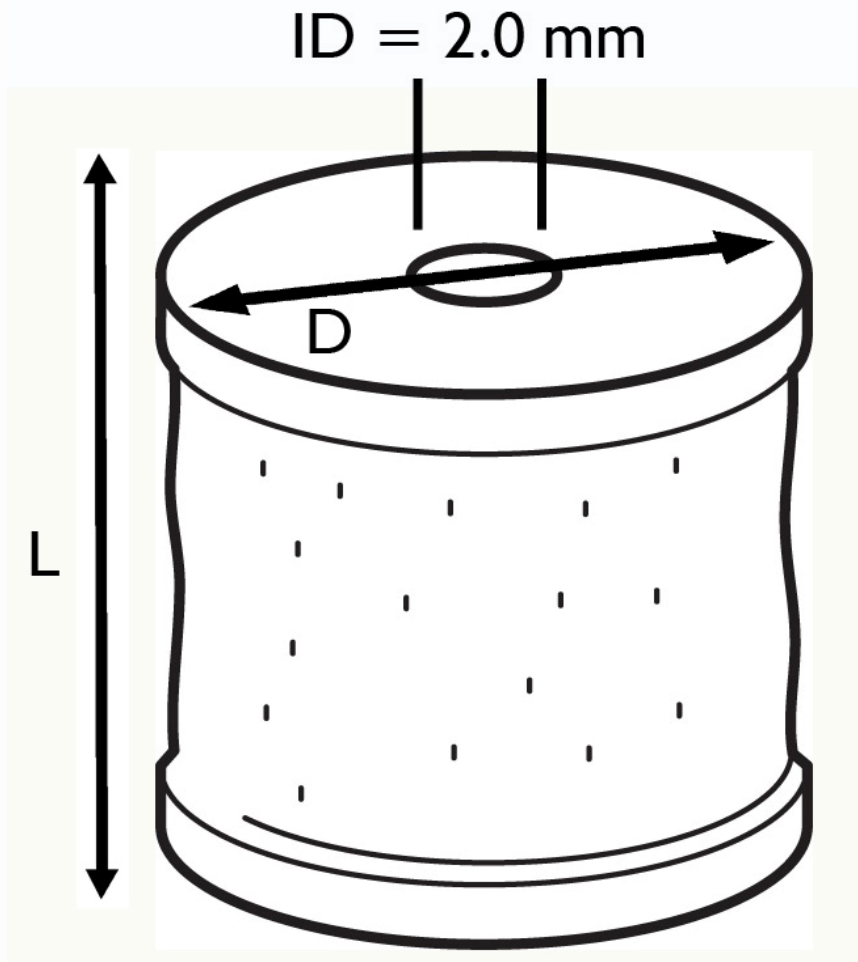


SteriGraft™ – Ilium Bicortical Plug



Product Code	Description	Size & Measurements
111	Ilium Bicortical Plug	D = 12 mm L = 10 - 14 mm
112	Ilium Bicortical Plug	D = 14 mm L = 10 - 14 mm
113	Ilium Bicortical Plug	D = 16 mm L = 10 - 14 mm